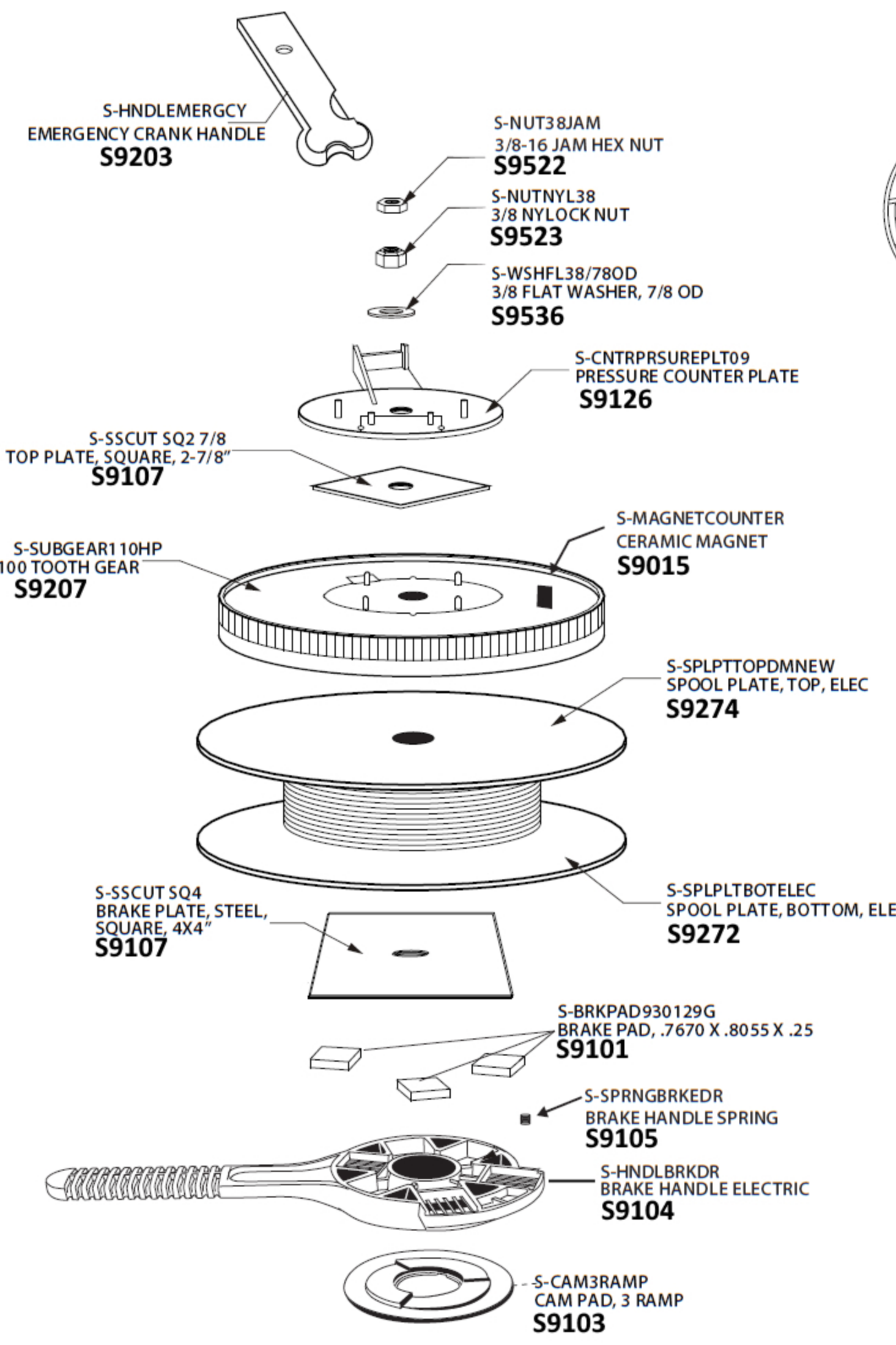
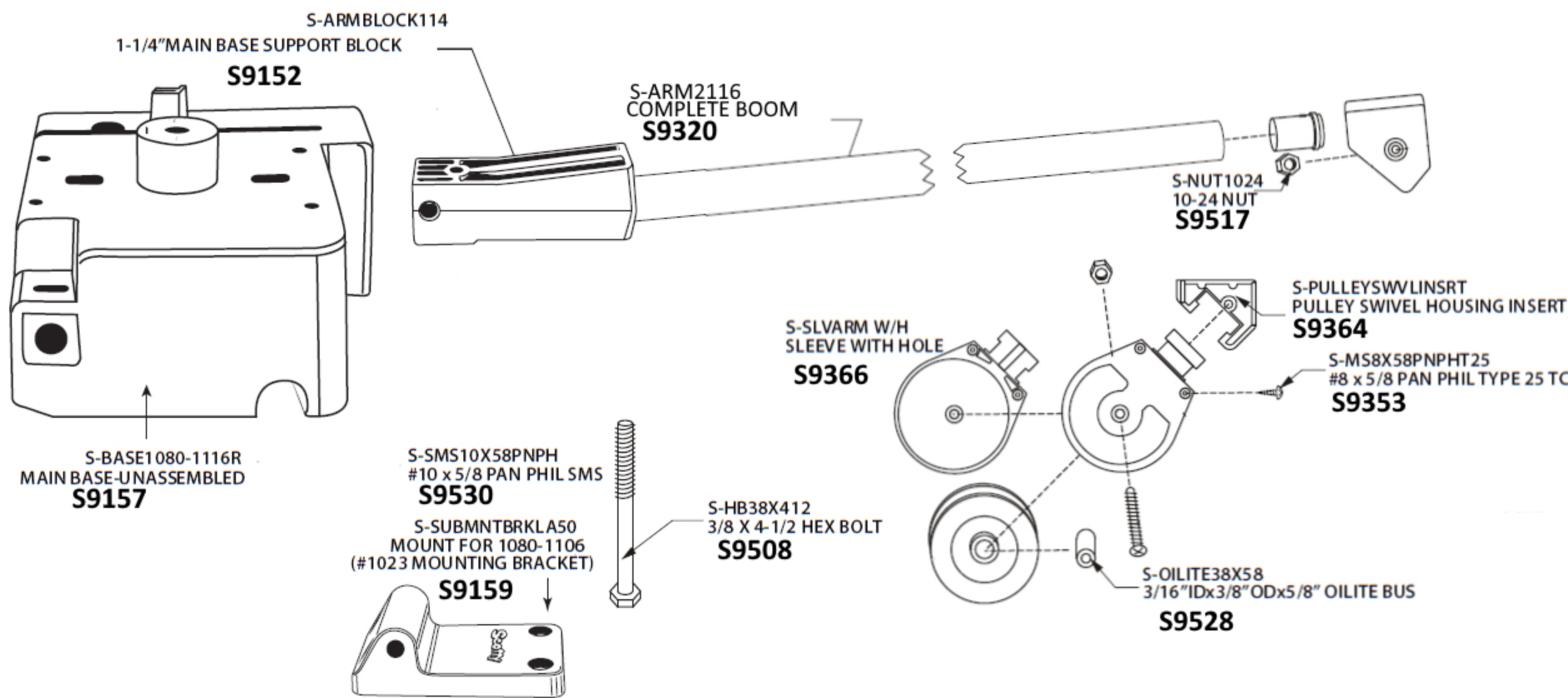


# HIGH PERFORMANCE • 2101 • 2106 • 2116



## DETAIL OF BRAKE HANDLE

